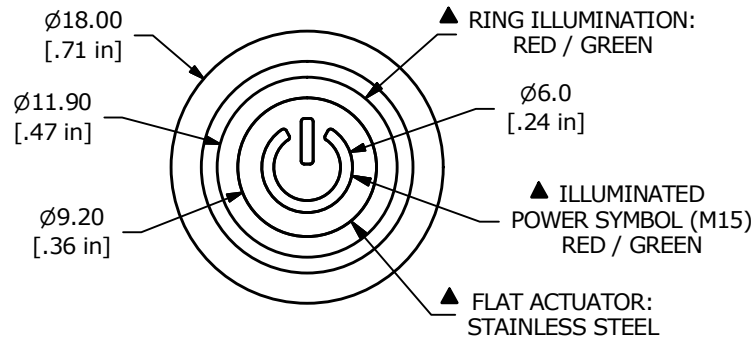
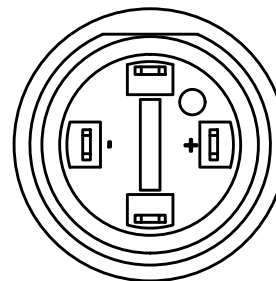
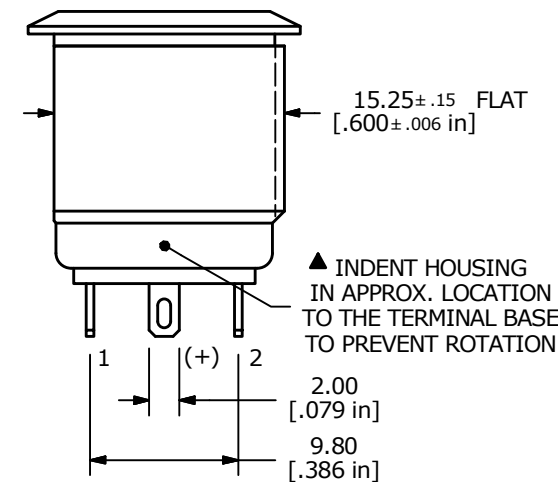
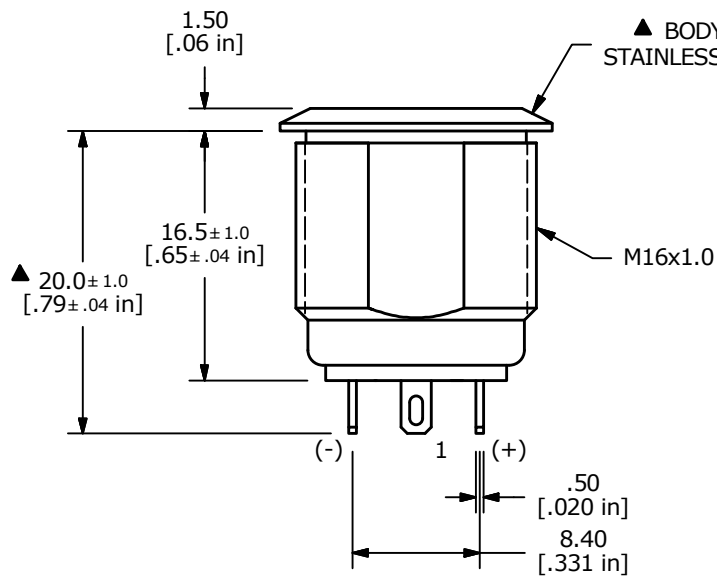
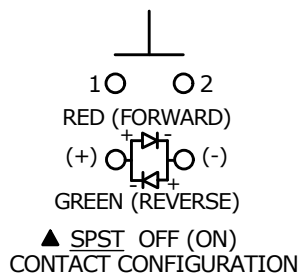


RECOMMENDED PANEL CUTOUT
MAX. PANEL THICKNESS
10.0 [.315 in]



SWITCH FUNCTION	
POS. 1	POS. 2
OFF	(ON)
OPEN	(1-2)

() = MOMENTARY



- NOTE:
- ALL DIMENSIONS IN MM [INCH]
 - GENERAL TOLERANCE: X.X = ±0.4
X.XX = ±0.25
 - TERMINAL NUMBERS FOR REF ONLY
 - CONTACT MATERIAL: SILVER PLATED COPPER
 - RATING: 2A 48VDC
 - ELECTRIC LIFE: 200,000 MAKE-AND-BREAK CYCLES AT FULL LOAD.
 - INSULATION RESISTANCE: 1,000 MΩ MIN.
 - DIELECTRIC STRENGTH: 2,000 VAC MIN. FOR 1 MINUTE
 - CONTACT RESISTANCE: 50mΩ MAX. @ 1A 12VDC
 - OPERATING TEMP.: -20°C to 55°C
 - TRAVEL: 1.8mm
 - ▲ DENOTES CRITICAL PARAMETER
 - ILLUMINATION VOLTAGE: 1.8V 20mA FORWARD, 2.8V 20mA REVERSE
 - HARDWARE SUPPLIED: O-RING AND HEXNUT (NOT SHOWN)



B	23644	UPDATED TERMINAL ALIGNMENT	10/26/18	MJR
A	22382	INITIAL RELEASE	7/11/16	MW
REV	PCR NO	DESCRIPTION	DATE	BY

TITLE PV6F240SS-3G1-M15				
SCALE 2:1	DATE 7/11/2016	DR MW	DWG 52-PV6F240SS3G1M15	REV B

THE INFORMATION CONTAINED IN THIS DOCUMENT IS PROPRIETARY TO E-SWITCH AND IS NOT TO BE COPIED OR TRANSFERRED